

# UTMX-43A Modules

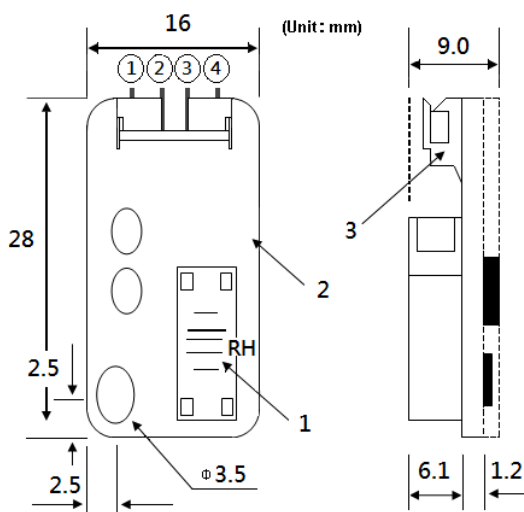


## APPLICATIONS

The **UTMX-43A** modules consist of an UTCX-U6A sensor and integrated circuit to provide a linear DC Voltage for 0-100%RH to enable easy user application of the UTCX-U6A sensor. They are specifically designed for use appliances and controllers.

Feature	Application
Wide humidity operation range	Air condition ,humidifier, Dehumidifier.
Linear DC Out put	Humidity controller, Humidity transmitter.
Easy operation	Hygrometer, Hygro-recorder.
Long-term stability	Copying machine.
Small and economical	Clock ,Weather-forecast barometer.

## CONFIGURATION & DIMENSIONS



## TERMINAL CONNECTION

Terminal	Content. (4Pin Pitch : 1.25mm)
1	Power Source 5V DC.
2	Humidity Output.
3	GND.
4	Temp Output 100k $\Omega$ (at 25 $^{\circ}$ C).

**Remark:** Please pay attention to the power source and GND polarity position.

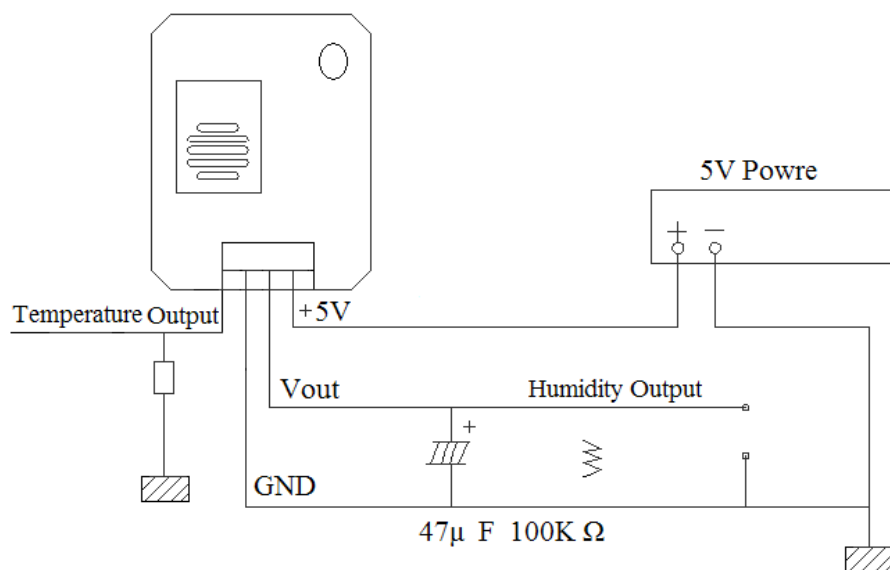
## ELECTRICAL CHARACTERISTICS

2-1	Sensing element (Humidity) :	Humidity sensor “ UTCX-U6A“							
2-2	Supply Voltage(Vin):	5VDC±5%							
2-3	Current Consumption:	5mA max:(2mA avg)							
2-4	Operating Range:	0 to 60°C							
	Temperature								
	Humidity	95%RH or less							
2-5	Storage:	-20 to 60°C							
	Temperature								
	Humidity								95%RH or less
2-6	Humidity transmitting Range:	30 to 90%RH							
2-7	Accuracy:	Resistance(1%) : 50 KΩ±1% (at 25±0.2°C) ±5%RH (at 25°C,60%RH,Vin=5.00VDC)							
	Temperature								
	Humidity:								
2-8	Humidity Output 0~3.3V Signal (Ref :Figure2.8-1):	at25°C, Vin=5.00VDC (Output Impedance approx:5KΩ)							
2-9	Humidity(%RH)	30	40	50	60	70	80	90	
	Output Voltage(V)	1.00	1.32	1.65	1.98	2.31	2.64	2.97	
	Temperature Output Signal(Reference):	Using thermistor 503 R(25°C)=50KΩ±5%RH, B(25/50)=3950K±2%							
	Temperature(°C)	0	10	20	25	30	40	50	60
	Resistance(KΩ)	160.56	98.714	62.328	50.0	40.356	26.75	18.138	12.554

Order From **UTMX-43A** is the modules with 2317RJ-04 4 pins(pitch = 2.5 mm) of terminal Connector of voltage output for humidity and temperature output 50KΩ(at 25°C)

UTMX-43A Configure of definition.	
Input Voltage	5V
Humidity Output Voltage	0~3.3V
Temperature Output	50kΩ (at 25°C)
Terminal Connector	2317RJ-04 , 4pins(Pitch = 2.5 mm) °
Accuracy	±5%RH(at 25°C,60%RH)

## TYPICAL APPLICATIONS



**UTMX -43AB Modules enclosure (optional accessory) diagram below :**

**Material: ABS      Color: Grey**

**Dimensions: 55 x 26 x 16**

(Unit : mm)

